

QR 1.75

The Bondtech QR Universal extruder for 1.75 mm filament gives you the markets highest performance, precision and reliability with its DualDrive gear system.

Super sharp drive gear teeth's grips the filament from both sides that gives very high available feeding force to ensure uninterrupted material flow to avoid under extrusions. Filament grinding, and slippage is now a thing of the past.

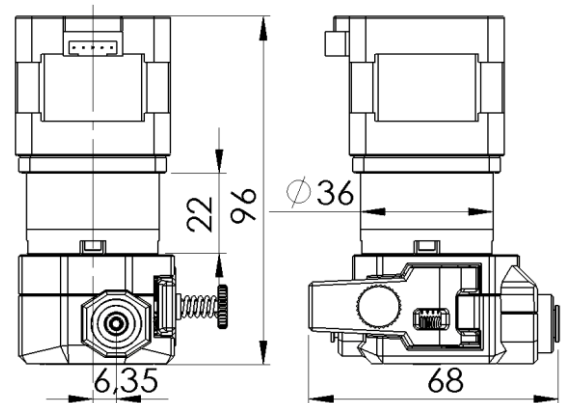
QR 1.75 is available in both left and right hand. The picture and drawing show the right-hand edition.



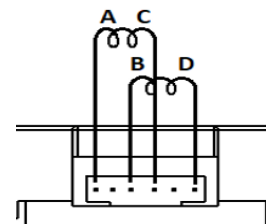
Technical Specification

EAN-code RH	7350011410019
EAN-code LH	7350011410040
Net weight	475g
Gross weight	525g
Package dimension	137×94×65mm
Max current	1.2A
Gearing ratio	5.18:1
Filament diameter	1.75mm
Operating temperature	0–80°C
E-steps value	476.5

Drawing



Electrical Connection



Contact Information

Bondtech AB
Repslagarevägen 3J
33153 Värnamo
Sweden

E-mail: support@bondtech.se
Web: www.bondtech.se

QR 2.85/3.0

The Bondtech QR Universal extruder for 2.85/3.0 mm filament gives you the markets highest performance, precision and reliability with its DualDrive gear system.

Super sharp drive gear teeth's grips the filament from both sides that gives very high available feeding force to ensure uninterrupted material flow to avoid under extrusions. Filament grinding, and slippage is now a thing of the past.

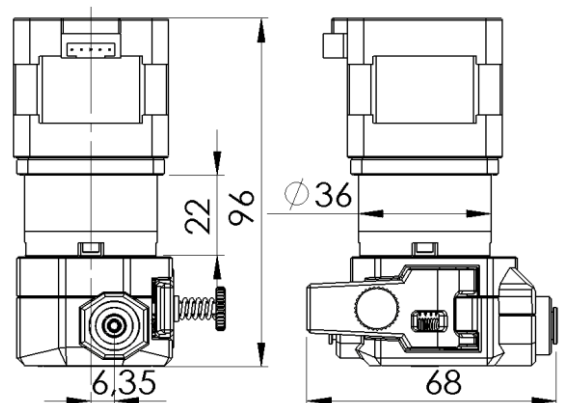
QR 2.85/3.0 is available in both left and right hand. The picture and drawing show the right-hand edition.



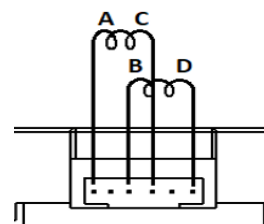
Technical Specification

EAN-code RH	7350011410071
EAN-code LH	7350011410101
Net weight	475g
Gross weight	525g
Package dimension	137×94×65mm
Max current	1.2A
Gearing ratio	5.18:1
Filament diameter	2.85/3.0mm
Operating temperature	0–80°C
E-steps value	492.45

Drawing



Electrical Connection



Contact Information

Bondtech AB
Repslagarevägen 3J
33153 Värnamo
Sweden

E-mail: support@bondtech.se
Web: www.bondtech.se