

Raise3D SingleDirect

This compact, lightweight extruder upgrade for Raise3D (N1,N2,N2+) printers will solve your feeding problems, improves surface quality and make it possible to print with faster speeds with sustained quality.

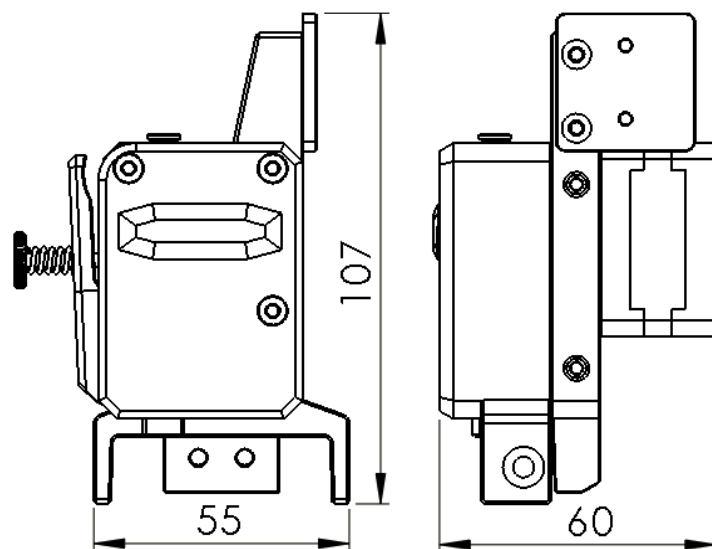
This product uses lightweight Nema17 Pancake stepper motors combined with a 3:1 internal gearing ratio and our proven DualDrive gears. The body parts are manufactured with SLS printing in high strength polyamide (nylon). Drive gears are precision CNC-machined in hardened steel for maximum performance and lifetime.



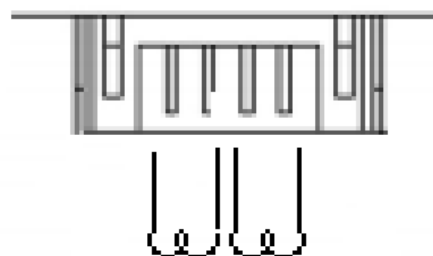
Technical Specification

- EAN-code 7350011412273
- Net weight 260g
- Gross weight 310g
- Package dimension 137x94x65mm
- Max current 0.7A
- Gearing ratio 3:1
- Filament diameter 1.75mm
- Operating temperature 0–100°C
- E-steps value 415

Drawing



Electrical Connection



Contact Information

Bondtech AB
Repslagarevägen 3J
33153 Värnamo
Sweden

E-mail: support@bondtech.se
Web: www.bondtech.se