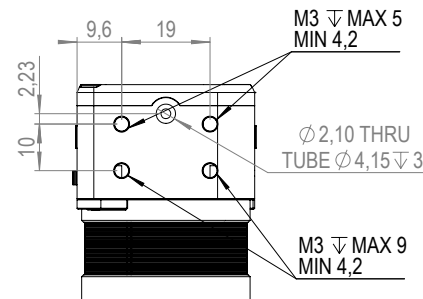
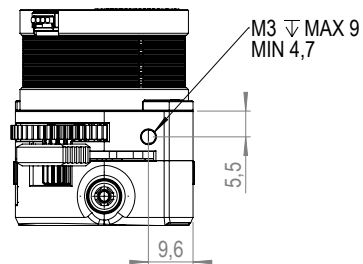
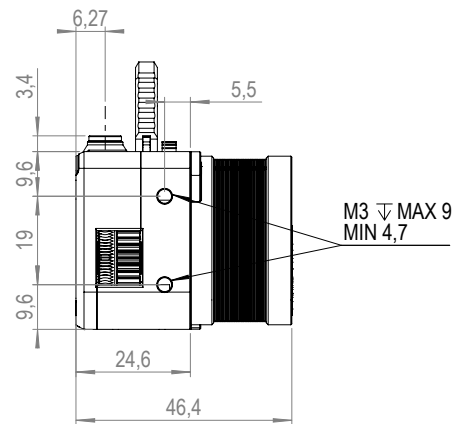
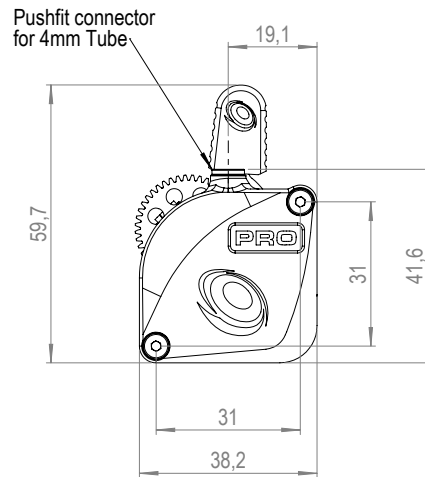


# #extruder

EXT01LGX41012

SKU



NAME	LGX Lite Pro Large Gears eXtruder
TYPE	Extruder
SKU	EXT01LGX41012

## Specifications

ESTEP	800 @ 1/16 micro stepping 1600 @ 1/32 micro stepping
Drive Wheels	Hardened Steel
Top Fitting Tube OD	4.10 mm
Materials Compatibility	Abrasive, rigid, semi-flexible, flexible and soft
Mounting	bottom (4 points); right (2 points), left (1 point), front to motor (2 points), top (1 point)
Max Tightening Torque	0.3Nm
Housing	PA 12 GF
Working Temperature	Up to 100°C
Weight	187 g
Motor Insulation Class	Class-H

## Comments

	Nitrocarburized SS1914, Surface coating
	See drawing above for more details about mounting points location and thread dept
	SLS printed housings with glass filled Nylon (PA12 GF)
	Motor selfheating ~80°C @ 1000mA + Chamber temp must not exceed 180°C
	Net weight
	Up to 180°C

## Specifications

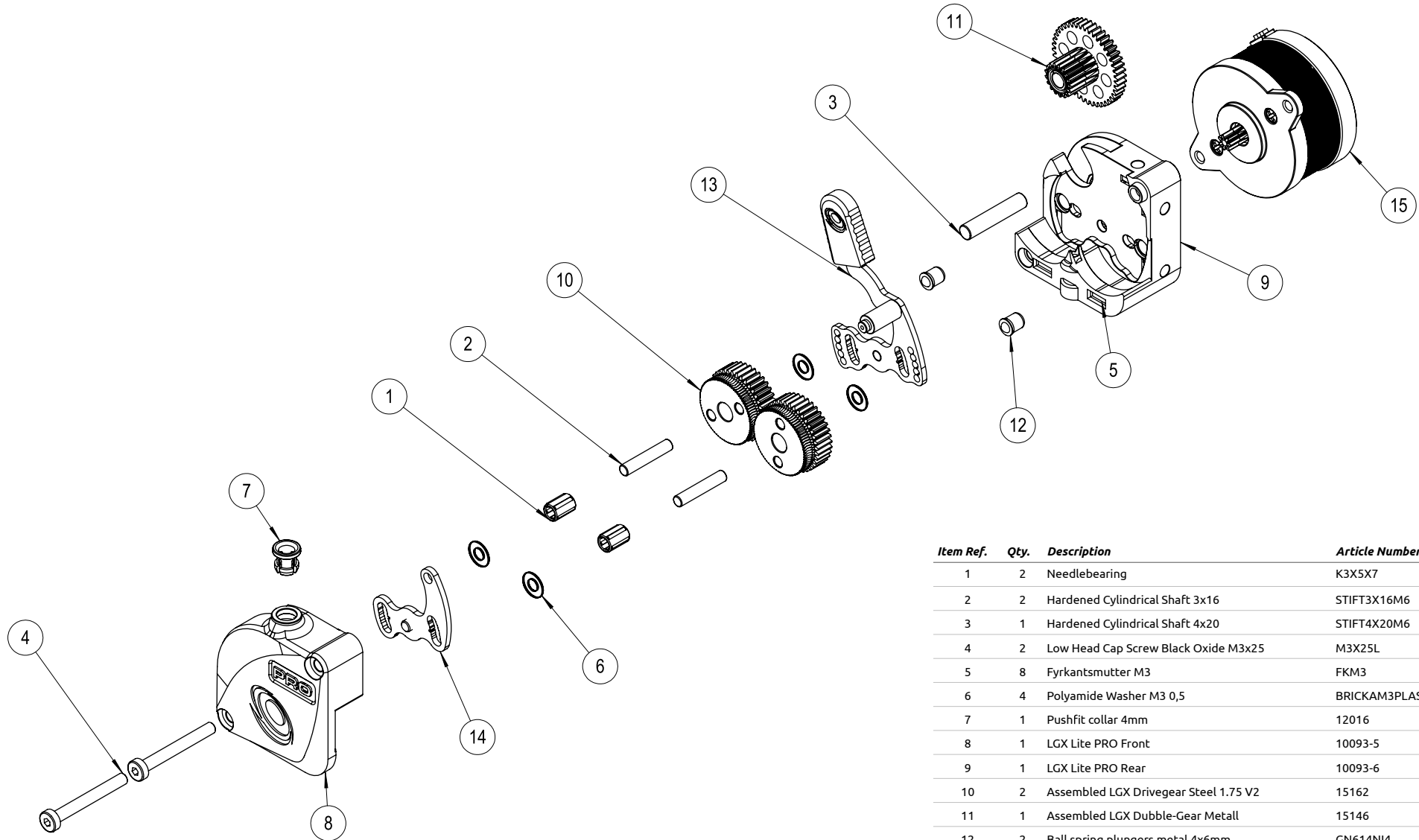
Tension	Adjustable with 5 fixed positions
Max Peak Current 1.0A	Recommended current 550-650 mAh RMS
Stepper Motor	Nema14 Round Stepper 22mm Ø36mm
Motor Connector	JST-XH 4-pin connector
Filament Diameter	1.75 mm
Lubrications	Berutox FB22
Ce Certified	Yes
RoHS	Yes
REACH	Yes

## Comments

	1-2 Rigid Materials. 2-3 Semi-flexible. 3-5 Flexible/Soft
	Visual inspection every 100 print hours. Clean and apply new lubrication on the gears

# #extruder

EXT01LGX41012  
SKU



Item Ref.	Qty.	Description	Article Number
1	2	Needlebearing	K3X5X7
2	2	Hardened Cylindrical Shaft 3x16	STIFT3X16M6
3	1	Hardened Cylindrical Shaft 4x20	STIFT4X20M6
4	2	Low Head Cap Screw Black Oxide M3x25	M3X25L
5	8	Fyrkantsmutter M3	FKM3
6	4	Polyamide Washer M3 0,5	BRICKAM3PLAST
7	1	Pushfit collar 4mm	12016
8	1	LGX Lite PRO Front	10093-5
9	1	LGX Lite PRO Rear	10093-6
10	2	Assembled LGX Drivegear Steel 1.75 V2	15162
11	1	Assembled LGX Dubble-Gear Metall	15146
12	2	Ball spring plungers metal 4x6mm	GN614NI4
13	1	LGX Lite PRO Lever 4 Position Long	03MCH14PLT00027
14	1	LGX Lite PRO Lever 4 Position Short	03MCH14PLT00028
15	1	LGX Lite PRO Stepper Motor	01LCT00STM00008

EXTRUDER EXPLODED VIEW #02/02