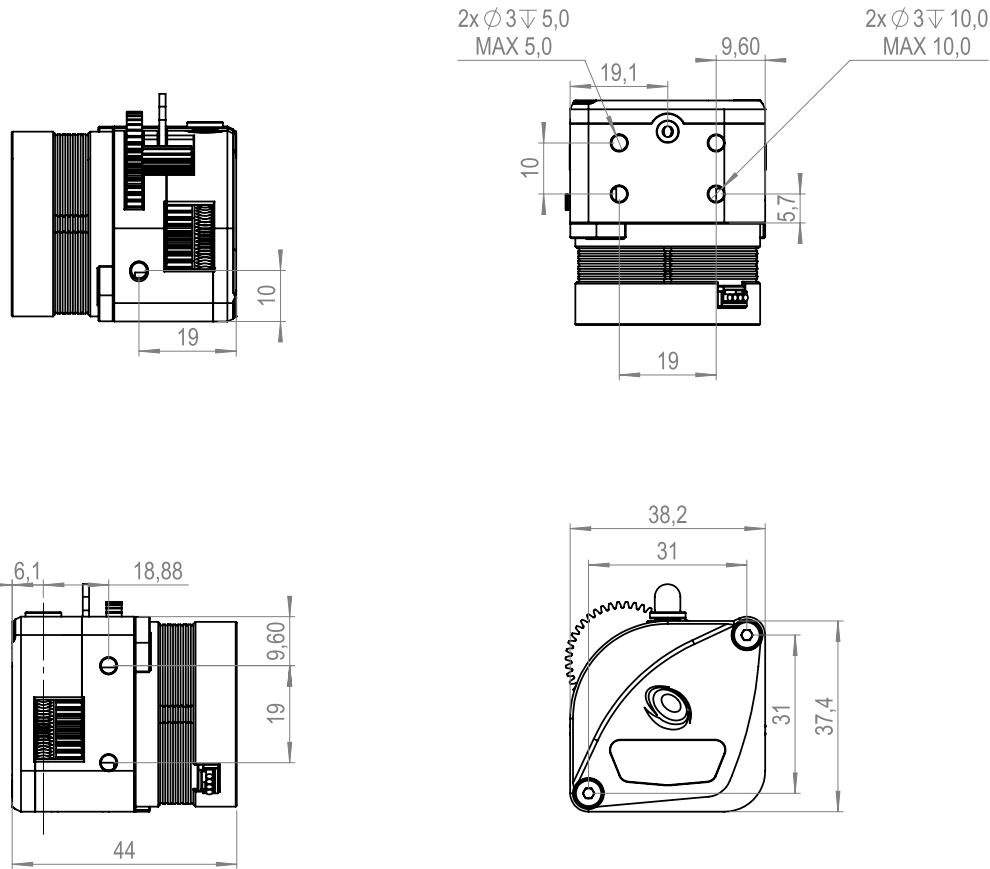


#extruder

EXT01LGX41003

SKU



NAME LGX Lite Large Gears eXtruder V2
 TYPE Extruder
 SKU EXT01LGX41003

EXTRUDER SPECIFICATIONS #01/02

Specifications

ESTEP	562 @ 16-bit micro stepping 1124 @ 32-bit micro stepping
Drive Wheels	Hardened Steel
Top Fitting Tube OD	4.10 mm
Materials Compatibility	Abrasive, rigid, semi- flexible, flexible and soft
Mounting	bottom (4 points); right (2 points), left (1 point), front to motor (2 points), top (1 point)
Max Tightening Torque	0.3Nm
Housing	PA 12 GF
Working Temperature	Up to 100°C
Weight	147 g
Motor Insulation Class	Class-H

Comments

Nitrocarburized SS1914, Surface coating
See drawing above for more details about mounting points location and thread dept
SLS printed housings with glass filled Nylon (PA12 GF)
Motor selfheating ~80°C @ 1000mA + Chamber temp must not exceed 180°C
Net weight
Up to 180°C

Specifications

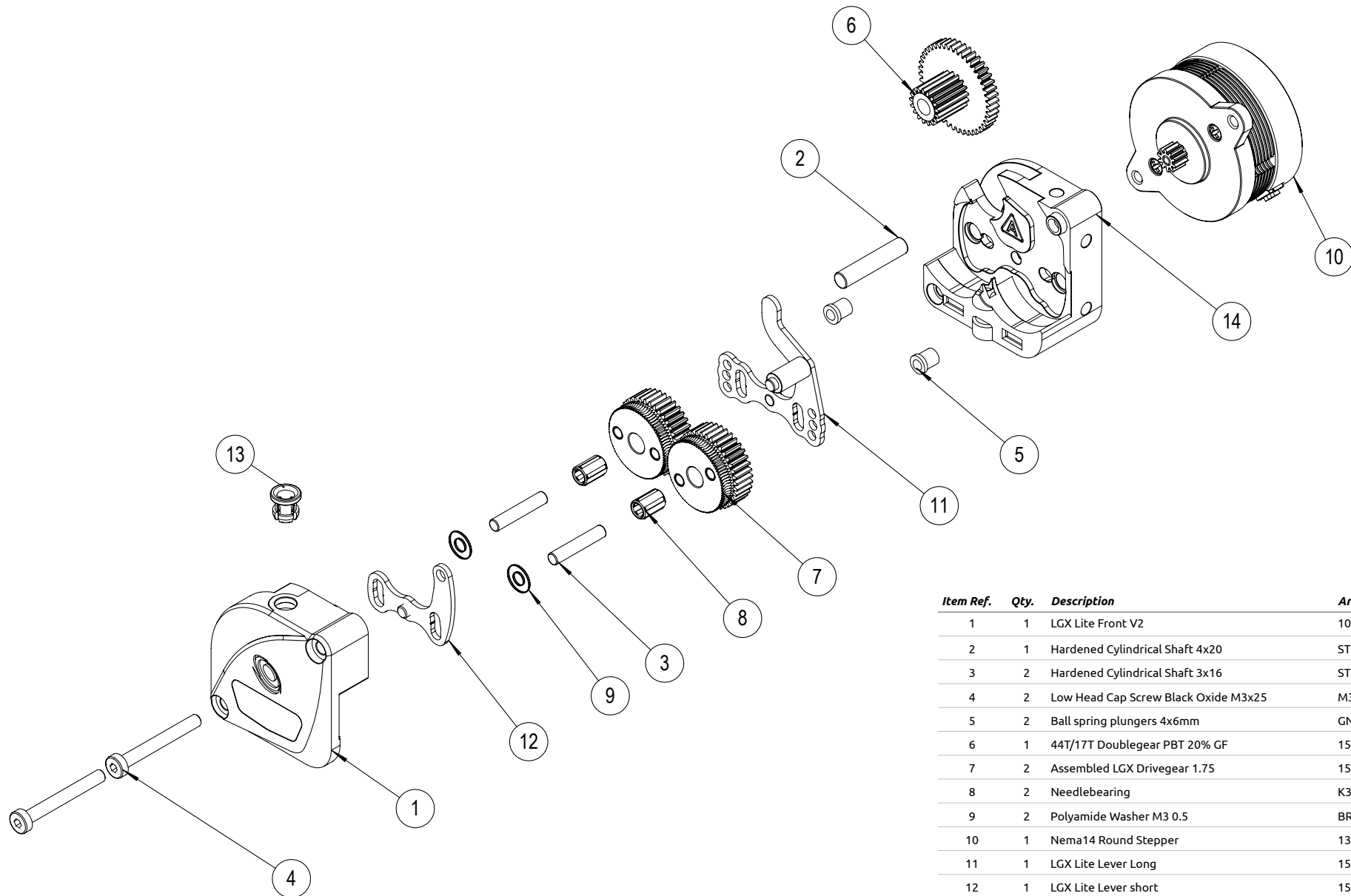
Push Force	
Tension	Adjustable with 2 fixed positions
MAX Peak Current 1.0A	Recommended current 450-700mA
Stepper Motor	Nema14 Round Stepper 20mm Ø36mm
Motor Connector	JST-XH 4-pin connector
Filament Diameter	1.75 mm
Lubrications	Berutox FB22
CE Certified	Yes
RoHS	Yes
REACH	Yes

Comments

Abrasive, 1 Rigid Materials. 2 Semi- flexible, Flexible/Soft
3.5kg @700mA
Visual inspection every 100 print hours. Clean and apply new lubrication on the gears

#extruder

EXT01LGX41003
SKU



Item Ref.	Qty.	Description	Article Number
1	1	LGX Lite Front V2	10087-5
2	1	Hardened Cylindrical Shaft 4x20	STIFT4X20M6
3	2	Hardened Cylindrical Shaft 3x16	STIFT3X16M6
4	2	Low Head Cap Screw Black Oxide M3x25	M3X25L
5	2	Ball spring plungers 4x6mm	GN614KU4
6	1	44T/17T Doublegear PBT 20% GF	15070
7	2	Assembled LGX Drivegear 1.75	15134
8	2	Needlebearing	K3X5X7
9	2	Polyamide Washer M3 0.5	BRICKAM3PLAST
10	1	Nema14 Round Stepper	13013
11	1	LGX Lite Lever Long	15096
12	1	LGX Lite Lever short	15097
13	1	Pushfit collar 4mm	12016
14	1	LGX Lite Rear V2	10087-6