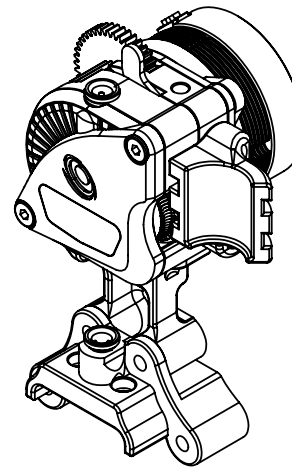
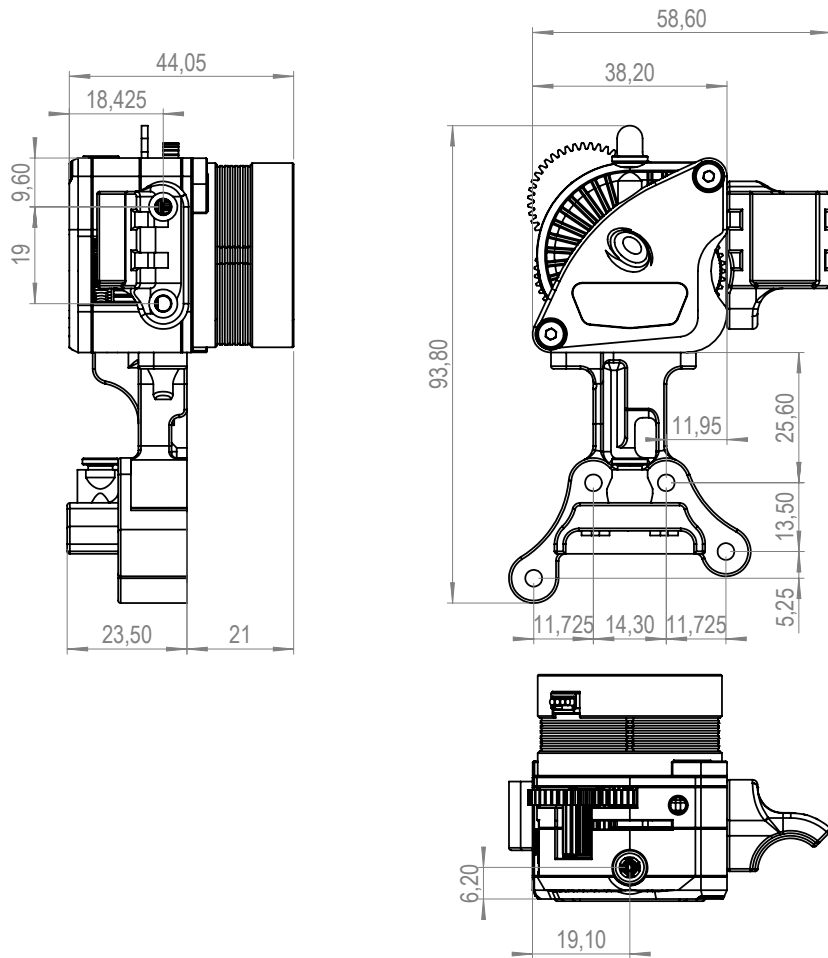


#extruder kit

EXT-KIT-98-03

SKU



NAME Crealty Ender 7 LGX Lite
Mosquito Magnum

TYPE Upgrade kit, Direct Drive

SKU EXT-KIT-98-03

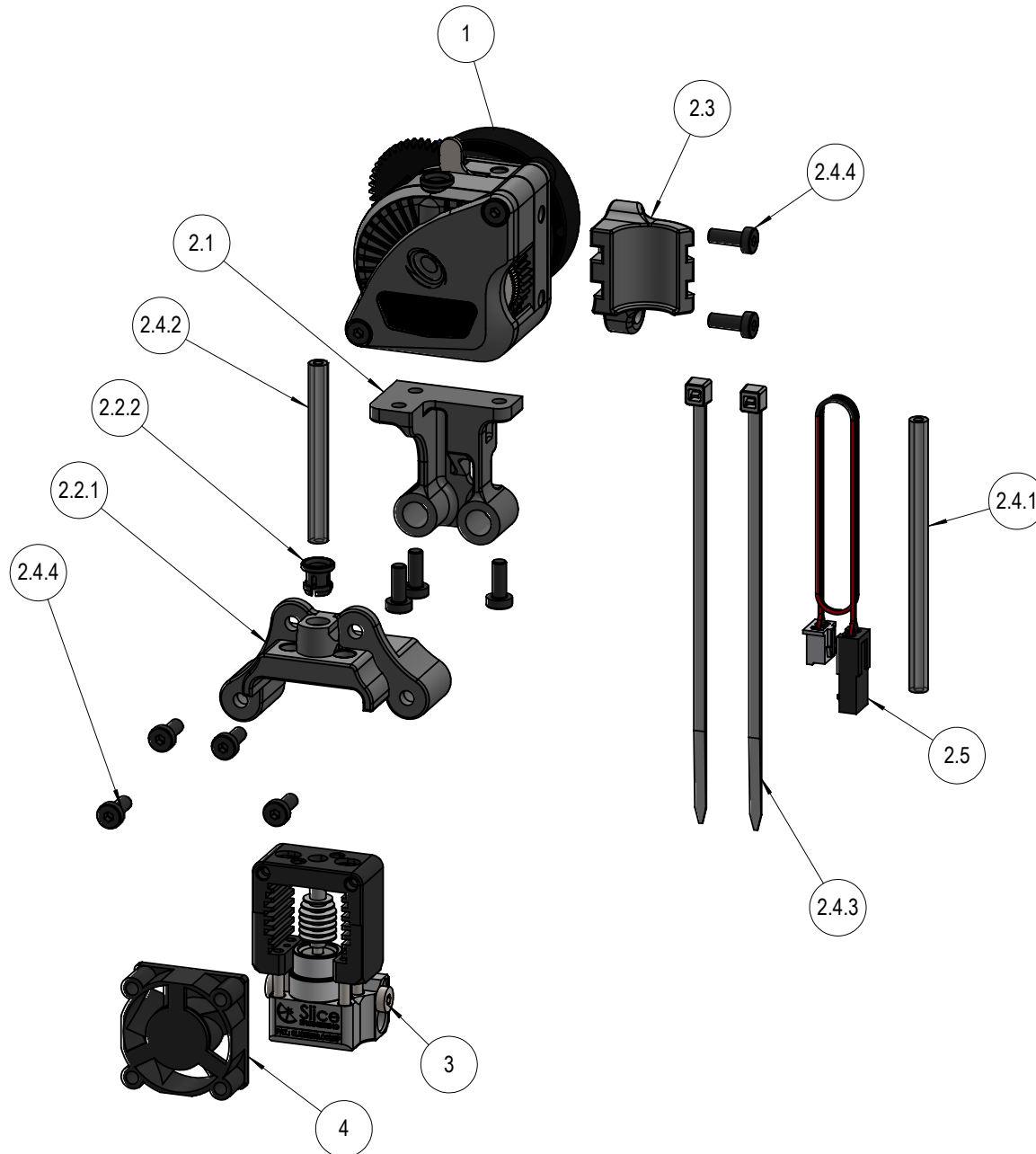
Specifications

Extruder	LGX Lite
Filament Diameter	1.75mm
ESTEP	562
Filament Tensions	3 Fixed Lever Position <small>Position 0 - Open • Position 1 - Rigid Materials • Position 2 - Flexible Material</small>
Stepper Motor	Nema 14 Round stepper 1.8°, 20mm, Ø36mm
Recommended Current	0.45 to 0.60A
Hotend	Mosquito Magnum <small>Slice Engineering's Mosquito Magnum hotend</small>
Max Flow Capacity	30 mm ³ /s
Printable Materials	Rigid, Abrasive, Semi-Flex, Flexible
Recommended Retraction Speed	35mm/s
Recommended Retraction Length	Rigid: 0.4 - 1.0mm Flexible: 1.5 - 4mm <small>Retraction distance will vary depending on nozzles size, filament type etc.</small>
Weight: Extruder	48g
Weight: Stepper Motor	93g
Weight: Accessories	35g
Weight: Hotend	41g

#extruder kit

EXT-KIT-98-03

SKU



Item Ref.	Qty.	Description	Article Number
1	1	LGX Lite Large Gears eXtruder	EXT-LGX-LITE
2	1	Mounting Set for LGX Lite and Mosquito on Ender-7	15182
2.1	1	LGX Lite Ender 7 Mount	10101-01
2.2	1	LGX Lite Ender 7 Mosquito / Magnum+ Mount	10101-02
2.2.1	1	LGX Lite Ender 7 Mosquito / Magnum+ Mount	10101-02
2.2.2	1	Pushfit collar 4mm	12016
2.3	1	LGX Lite Ender 7 Cable holder	10101-03
2.4	1	Creality Ender 7 Accessories Bag	15184
2.4.1	1	Ender 7 60,8mm PTFE Tube 4.0/2.0 mm	12003
2.4.2	1	Mosquito 40mm PTFE Tube 4.0/2.0 mm	12003
2.4.3	2	Zip-tie 2.5x100	15048
2.4.4	9	Low Head Socket Cap Screw M3x8	M3X8L
2.5	1	Ender 7 Extension Cable for Mosquito 24v Fan	14079
3	1	Mosquito Magnum Hotend	14201
4	1	Mosquito 24V Fan With XHP-2 Plug	14202-A