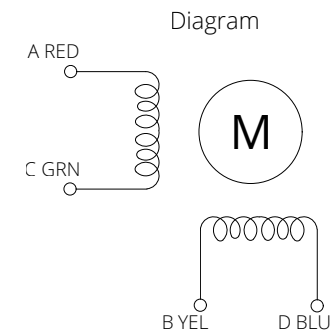
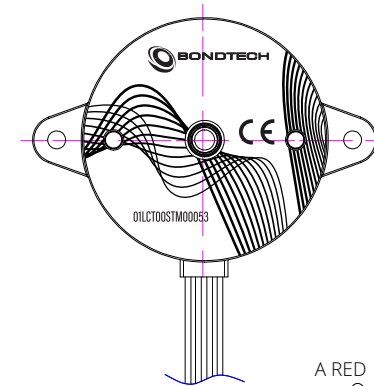
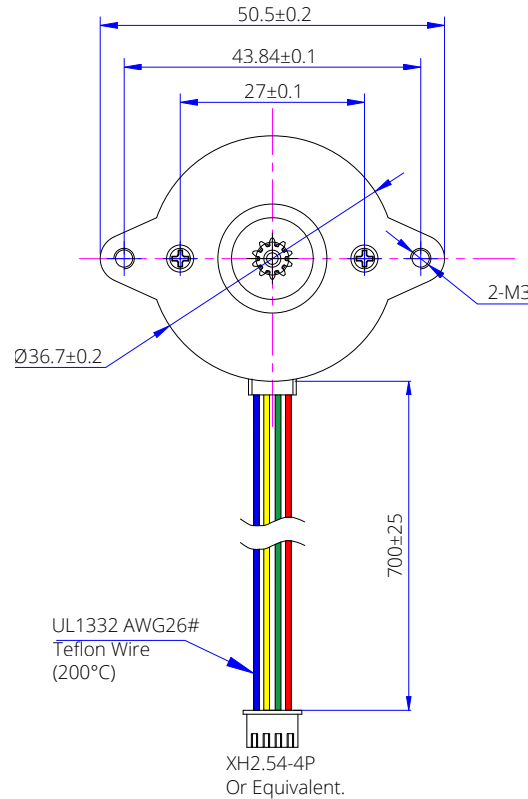
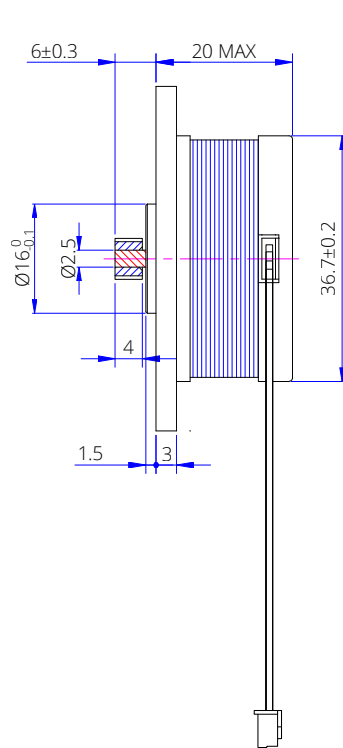


#hybrid stepper motor

ACC04STM41213
SKU



HYBRID STEPPER MOTOR SPECIFICATIONS

Specifications

Step Angle	1.8°±5%
Number Of Phase	2
Rated Voltage	2.1V
Rated Current/Phase	1.0A
Holding Torque	0.90 kg-cm Min
Detent Torque	5 mN-m
Phase Resistance	2.1x(1±15%) Ω
Phase Inductance	1.5x(1±20%) mH
Dielectric Strength	AC 500V/ 1min / 5mA Max
Rotor Inertia	16 g-cm ²
Weight	85g
Insulation Class	Class H 180°C 125K Max

Gear Specifications

Module	0.5
No. Of Tooth	10
Pressure Angle	20°
Pitch Diameter	Ø 5
Outside Diameter	Ø 6
Base Tangent Length	2.40 -0.01 -0.05
Number Of Teeth Spanned	2
Precision Grade	GB/T10095-1-2001 8
Material	40Cr+Quench HRC36-42

NAME Nema14 20mm Round Stepper Motor 10T Gear
 TYPE Hybrid Stepper Motor
 Retail SKU ACC04STM41213
 Production SKU 01LCT00STM00053