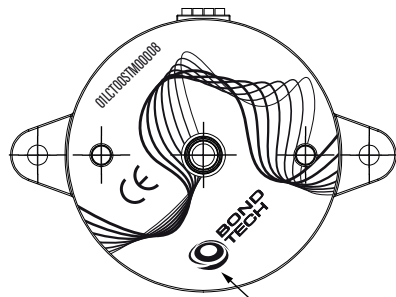
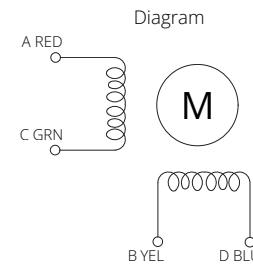
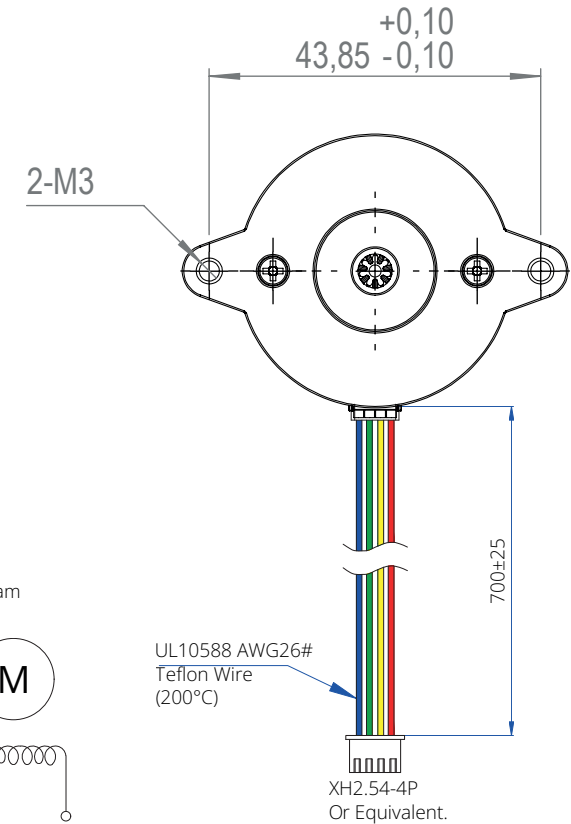
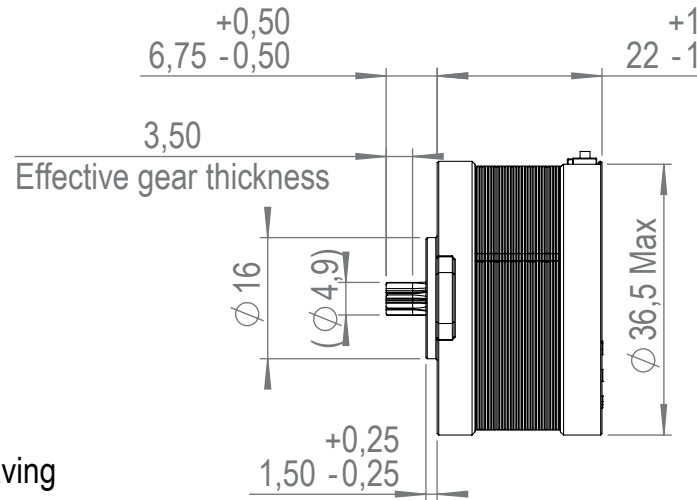


#hybrid stepper motor

ACC01STM41280
SKU



Laser engraving



UL10588 AWG26#
Teflon Wire
(200°C)

XH2.54-4P
Or Equivalent.

Specifications

Step Angle	1.8°±5%
Number Of Phase	2
Rated Voltage	2.37 V
Rated Current/Phase	1.0 A
Holding Torque	0.9 kg-cm Min
Detent Torque	g - cm
Phase Resistance	2.37 Ω±10%(20°C)
Phase Inductance	1.2 mH±20%(1kHz 1V RMS)
Dielectric Strength	AC 500V/ 1min / 5mA Max
Rotor Inertia	6 g-cm ²
Weight	92g
Insulation Class	Class H 180°C 125K Max

Gear Specifications

Module	0.5
No. Of Tooth	7
Pressure angle	20°
Pitch Diameter	Ø 3.5
Addendum Circle Diameter	Ø 4.9
Base Tangent Length	2.40 -0.01 -0.05
Number Of Teeth Spanned	2
Precision grade	GB/T10095-1-2001 8
Material	SUS303 nitrided, surface hardness HRC 53-60, effective hardening depth 0.1mm min

NAME Nema14 22mm Round Stepper Motor 7T Gear

TYPE Hybrid Stepper Motor

Retail SKU ACC01STM41280

Production SKU 01LCT00STM00008