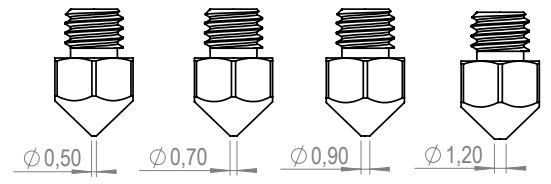
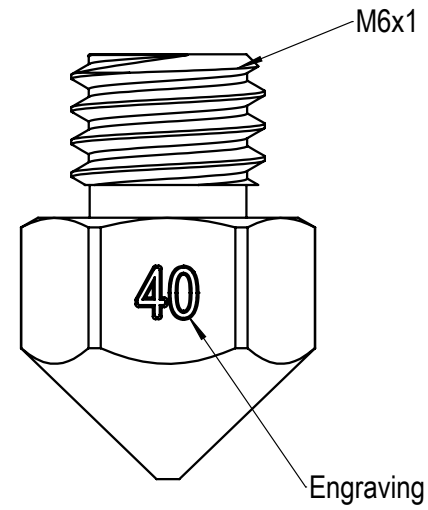
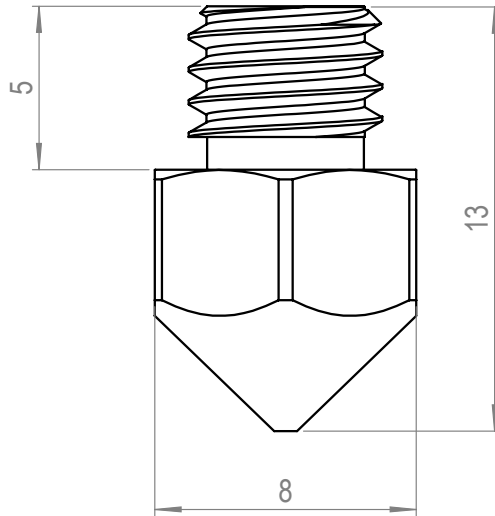
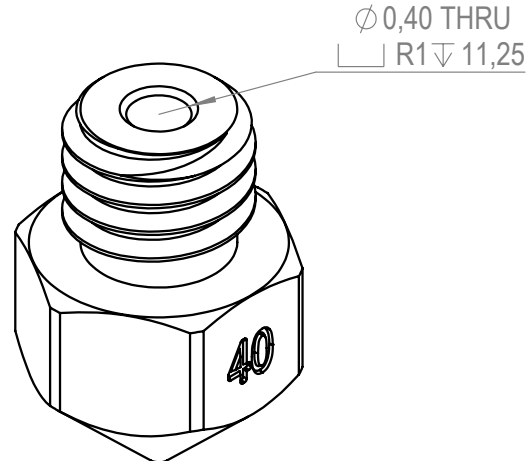


#nozzles 600-C-MK8-175

SKU



NAME Coated Brass Nozzle M6 MK8
 TYPE Nozzles
 SKU 600-C-MK8-175

Specifications	
Available Sizes	0.25, 0.40, 0.60, 0.80
Thread	M6x1 Thread Length: 5mm
Hex Size	8mm
Total Length	13mm
Working Temperature	Up to 300°C
Areas Of Use	PLA, ABS, HIPS, PC, TPU, TPE, NYLON, PETG, ASA, PP, PVA
Tightening Torque	Recommended 1.5 Nm

Compatibility			
bq Hephestos	Creality CR-10-S5	Creality CR-20 Pro	Elegoo Neptune 3 Pro
Hephestos 2	Creality CR-10S	Creality Ender 5	
bq Prusa i3 Hephestos	MakerBot Replicator	Craftbot family	
bq Witbox	MakerBot Replicator 2	Creality CR-10 V2	
bq Witbox 2	MakerBot Replicator 2X	Creality CR-6 SE	
Creality CR-10	Creality Ender 2	Creality CR-10 Smart	
Creality CR-10-S4	Creality Ender 3 Pro	Tevo Tornado	