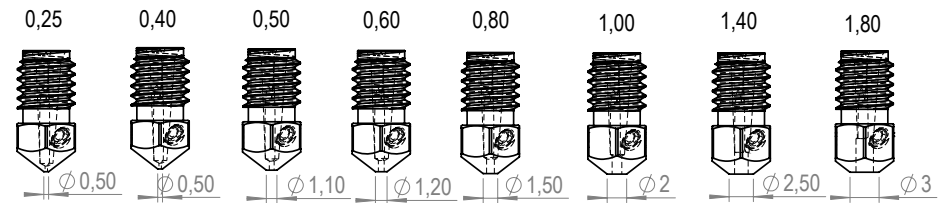
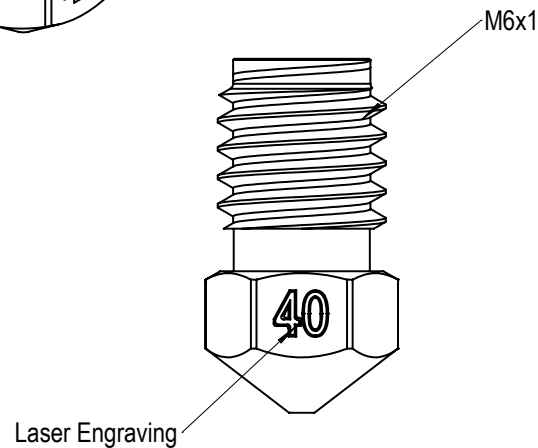
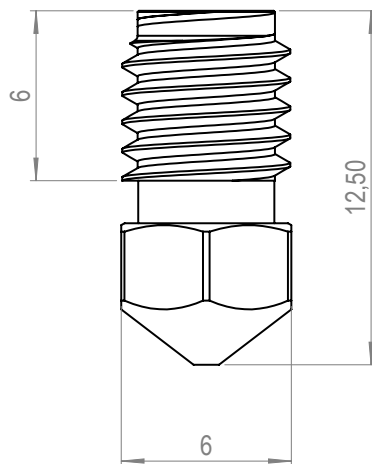
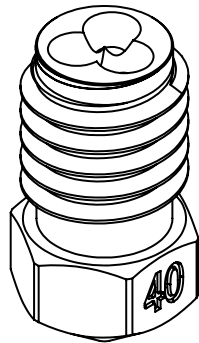


# #nozzles 600-C-CHT-MOS-175

SKU



NOZZLES SPECIFICATIONS

## Specifications

Available Sizes	0.25, 0.40, 0.60, 0.80
Thread	M6x1 Thread Length: 7.5mm
Hex Size	7mm
Total Length	12.5mm
Working Temperature	Up to 300°C
Areas Of Use	PLA, ABS, HIPS, PC, TPU, TPE, NYLON, PETG, ASA, PP, PVA
Tightening Torque	1.5 Nm

## Compatibility

Mosquito and Mosquito Magnum  
Copperhead  
E3D V4, V5 and V6 blocks  
E3D Chimera and Kraken  
RepRap M6  
Prusa Blocks



NAME	Coated Nozzle M6×1×6×12.5x 1.75
TYPE	Nozzles
SKU	600-C-CHT-MOS-175