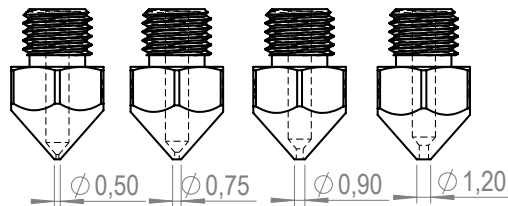
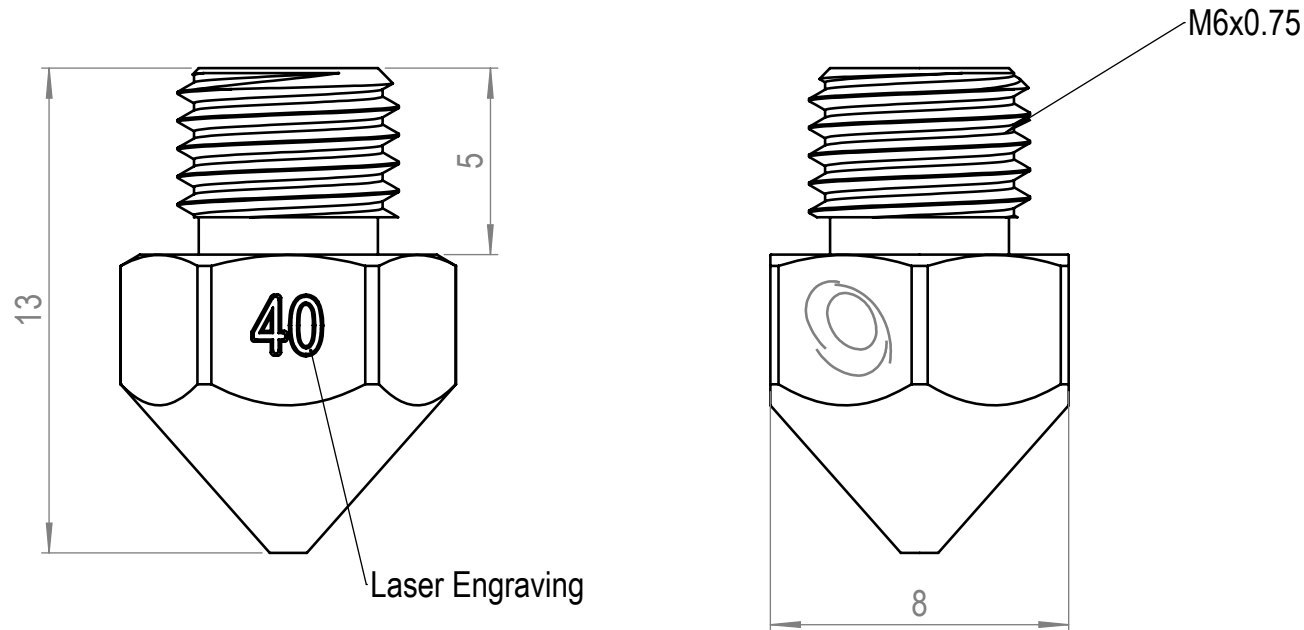


#nozzles

600-C-CHT-MK8-175

SKU



NAME Coated Nozzle M6×1×6×12.5x 1.75

TYPE Nozzles

SKU 600-C-CHT-MK8-175

Specifications

Available Sizes	0.40, 0.60, 0.80, 1.0, 1.4 and 1.8
Thread	M6x1 Thread Length: 5mm
Hex Size	8mm
Total Length	13mm
Working Temperature	Up to 300°C
Areas Of Use	PLA, ABS, HIPS, PC, TPU, TPE, NYLON, PETG, ASA, PP, PVA
Tightening Torque	1.5 Nm

Compatibility

bq Hephestos	Creality CR-10-S5	Creality CR-20 Pro	Elegoo Neptune 3 Pro
Hephestos 2	Creality CR-10S	Creality Ender 5	
bq Prusa i3 Hephestos	MakerBot Replicator	Craftbot family	
bq Witbox	MakerBot Replicator 2	Creality CR-10 V2	
bq Witbox 2	MakerBot Replicator 2X	Creality CR-6 SE	
Creality CR-10	Creality Ender 2	Creality CR-10 Smart	
Creality CR-10-S4	Creality Ender 3 Pro	Tevo Tornado	