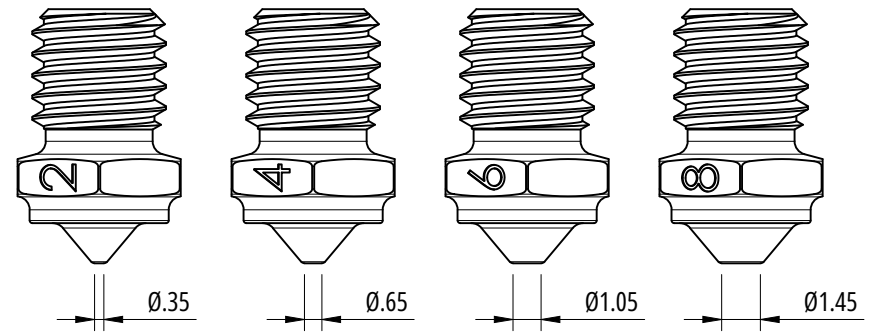
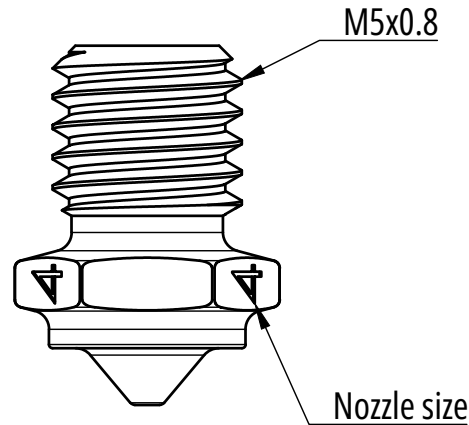
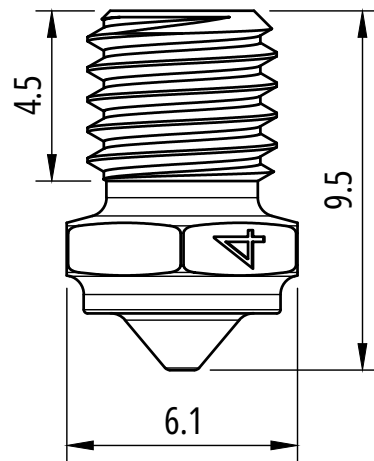
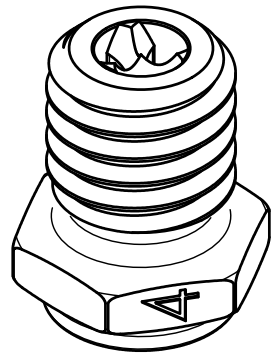


# #nozzles

600-C-CHT-FIN  
SKU



### Specifications

Available Sizes	0.20, 0.40, 0.60, 0.80
Thread	M5x0.8 Thread Length: 4.5mm
Hex Size	6mm
Total Length	9.5mm
Working Temperature	Up to 450°C
Areas Of Use	PLA, ABS, HIPS, PC, TPU, TPE, NYLON, PETG, PP, PVA, ASA
Tightening Torque	1.5 Nm

### Compatibility and notes

Slice Engineering Mako Hotend

Minimum recommended temperature for changing nozzle: 270°C

Aim to hot-tighten nozzle with hotend temperature at least 10°C above intended printing temperature, or up to 300°C.

Hot-loosen with no more than 2 Nm of torque, at the same temperature.



NAME	Coated Nozzle M5×0.8×4.5×9.5×1.75
TYPE	Nozzles
SKU	600-C-CHT-FIN