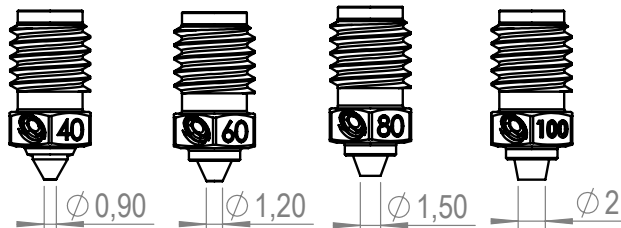
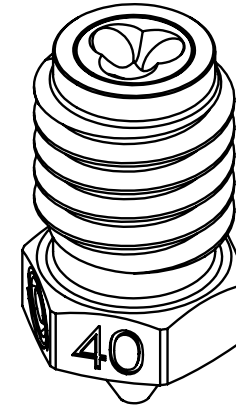
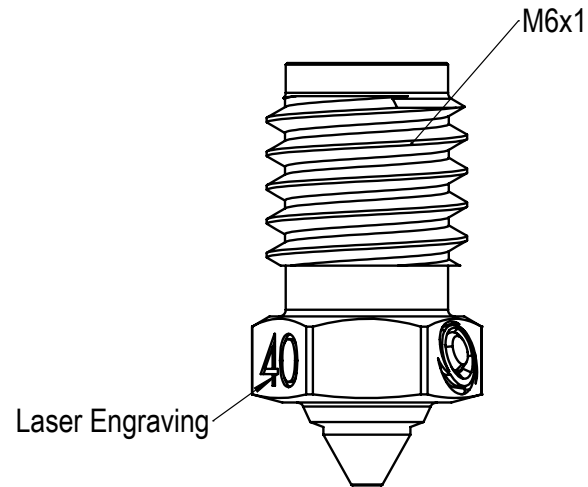
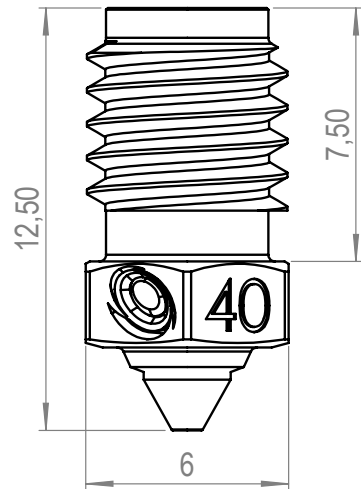


#nozzles 600-A-CHT-MOS-175

SKU



NAME CHT BiMetal RepRap M6 Coated Nozzles
 TYPE Nozzles
 SKU 600-A-CHT-MOS-175

Specifications

Available Sizes	0.40, 0.60, 0.80, 1.0
Thread	M6x1 Thread Length: 6mm
Hex Size	6mm
Total Length	12.5mm
Working Temperature	Up to 450°C
Areas Of Use	PLA, ABS, HIPS, PC, TPU, TPE, NYLON, PETG, ASA, PP, PVA and Abrasive material e.g Carbon and Glass fiber composite materials.
Tightening Torque	Recommended 0.5 Nm. Max 1.0 Nm

Compatibility

RepRap M6
 E3D V4, V5 and V6.
 Prusa i3
 Prusa Mini
 Bambu Lab X1 (aftermarket hotend)