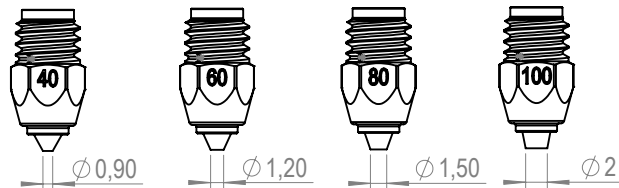
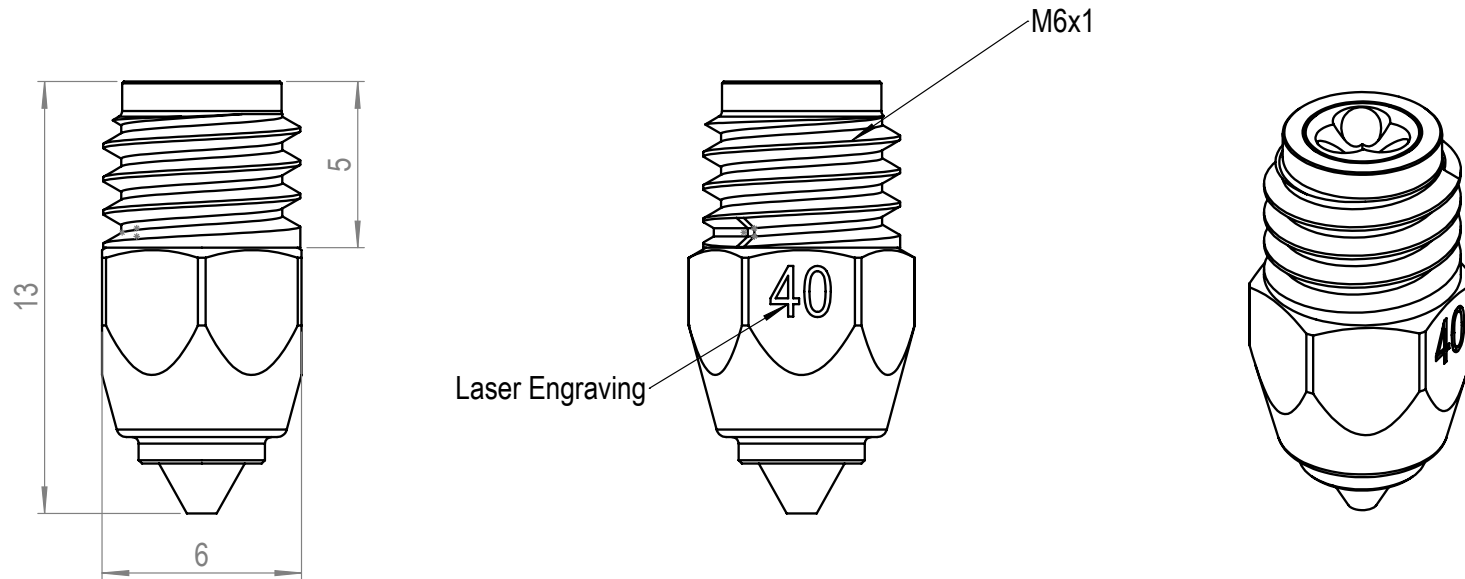


#nozzles 600-A-CHT-MK8-175

SKU



NAME CHT BiMetal MK8 Coated Nozzles
 TYPE Nozzles
 SKU 600-A-CHT-MK8-175

Specifications

Available Sizes	0.40, 0.60, 0.80, 1.0
Thread	M6x1 Thread Length: 5mm
Hex Size	8mm
Total Length	13mm
Working Temperature	Up to 450°C
Areas Of Use	PLA, ABS, HIPS, PC, TPU, TPE, NYLON, PETG, ASA, PP, PVA and Abrasive materials e.g Carbon and Glass fiber composite materials
Tightening Torque	Recommended 0,5 Nm Max 1,0 Nm

Compatibility

bq Hephestos	Creality CR-10-S5	Creality CR-20 Pro	Elegoo Neptune 3 Pro
Hephestos 2	Creality CR-10S	Creality Ender 5	
bq Prusa i3 Hephestos	MakerBot Replicator	Craftbot family	
bq Witbox	MakerBot Replicator 2	Creality CR-10 V2	
bq Witbox 2	MakerBot Replicator 2X	Creality CR-6 SE	
Creality CR-10	Creality Ender 2	Creality CR-10 Smart	
Creality CR-10-S4	Creality Ender 3 Pro	Tevo Tornado	