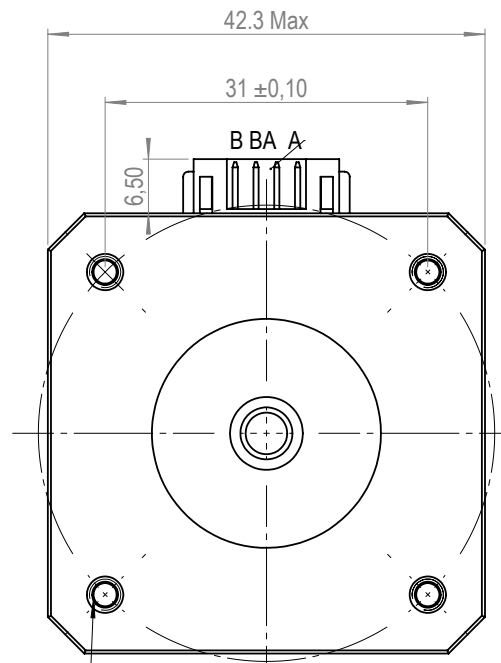
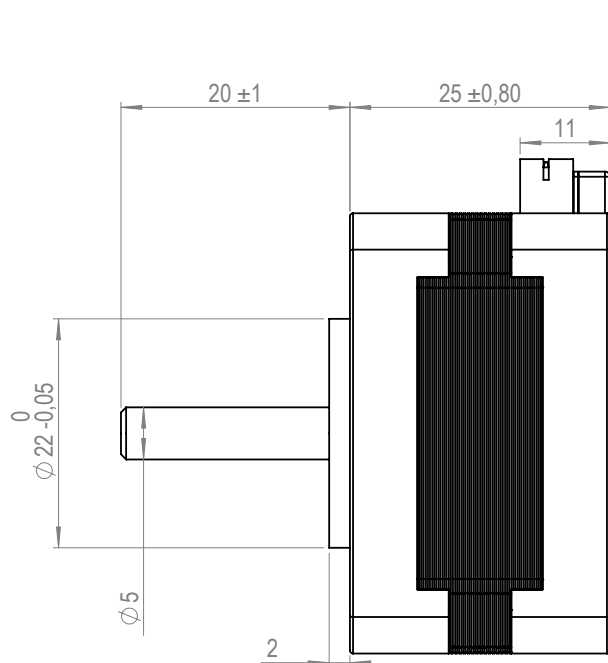
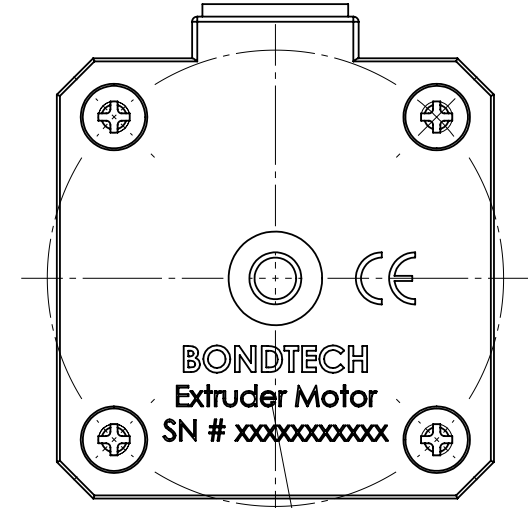


#stepper motor 42H025H-0704-002



4-M3
DEPTH 4.5MIN



Label by laser engraving
SN # code by: YYMMDD+4 series number

SPECIFICATIONS

Step Angle	1.8°±5%			
Number of Phase	2			
Rated Voltage	2.9 V			
Rated Current/Phase	0.7 A (Peak Value)			
Holding Torque	1.8 kg-cm			
Detent Torque	-g-cm (Ref.)			
Phase Resistance	4.2 Ω±10%			
Phase Inductance	5.5 mH±20% 1kHz			
Dielectric Strength	AC 500V			
Rotor Inertia	20 g-cm ²			
Weight	153 g			
Insulation Class	B			



NAME Nema17 Pancake Stepper 25mm

TYPE Stepper Motor

SKU 13003A