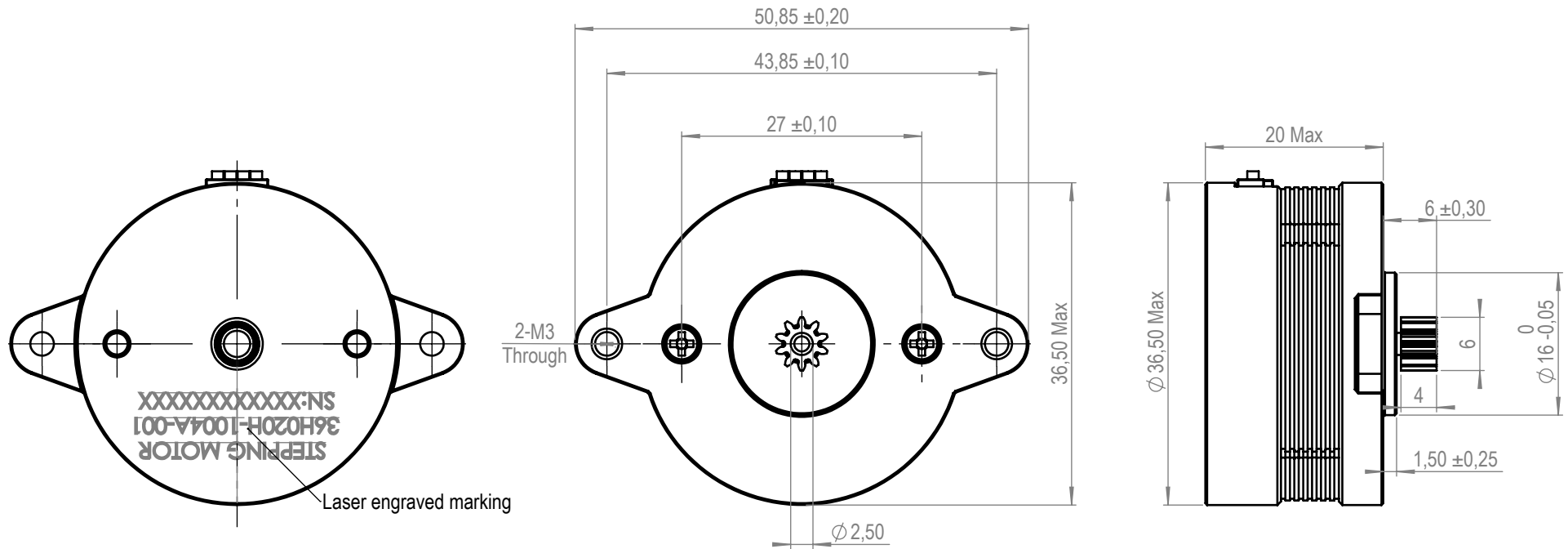


# #hybrid stepping motor 36H020H-1004A-001



## SPECIFICATIONS

|                     |                          |
|---------------------|--------------------------|
| Step Angle          | 1.8°±5%                  |
| Number of Phase     | 2                        |
| Rated Voltage       | 2.37 V                   |
| Rated Current/Phase | 1.0 A (Peak Value)       |
| Holding Torque      | 0.9 kg-cm Min.(1)        |
| Detent Torque       | - g-cm (Ref.)            |
| Phase Resistance    | 2.37 Ω±10%(20°)          |
| Phase Inductance    | 1.2 mH±20%(1kHz 1V RMS)  |
| Dielectric Strength | AC 500V/ 1min / 5mA Max. |
| Rotor Inertia       | 6 g-cm <sup>2</sup>      |
| Weight              | 92 g                     |
| Insulation Class    | H (180°) ; 125K Max.     |

## COMMENTS

Holding torque testing: two phase on/rated current;  
 Ambient temperatures: -20° ~ +50°  
 Dynamic axial load: 2.6N Max.;  
 Dynamic radial load: 5.7N Max.@20mm Shaft length 20mm;  
 Reliability: MTBF 6000 MTBF 6000 hours or more.@24V/300RPM;

## GEAR SPECIFICATIONS

|                          |   |
|--------------------------|---|
| Module                   | 0.5                                       |
| No. of tooth             | 10  |
| Pressure angle           | 20°                                       |
| Pitch diameter           | Ø 5                                       |
| Addendum circle diameter | Ø 6                                       |
| Base tangent length      | 2.284 <sup>-0.01</sup> / <sub>-0.03</sub> |
| Number of teeth spanned  | 2   |
| Precision grade          | GB/T10095-1-2001 8                        |
| Material                 | 40Cr+Quench HRC36-42                      |



TYPE Hybrid Stepping Motor  
 SKU 36H020H-1004A-001  
 MATERIAL Steel