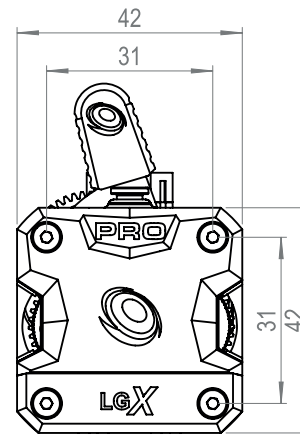
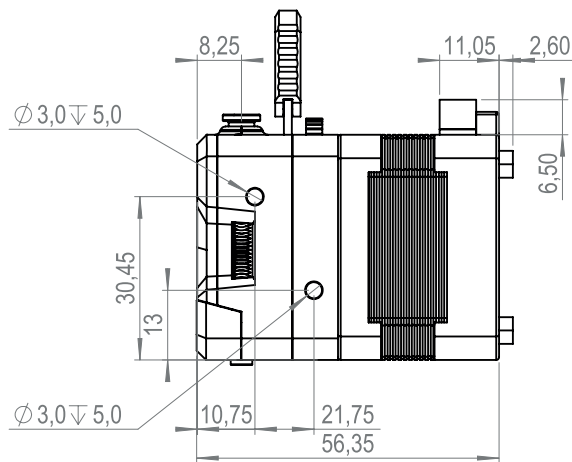
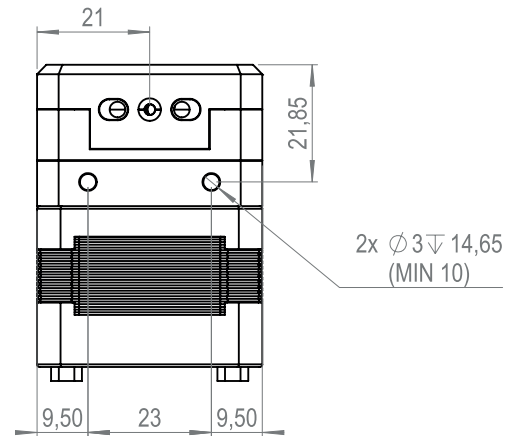


#extruder

EXT-LGX-PRO
SKU



NAME LGX PRO - Large Gears eXtruder
TYPE Extruder
SKU EXT-LGX-PRO

Specifications

ESTEP	410 @ 16-bit micro stepping
Drive Wheels	Hardened Steel
Top Fitting Tube OD	4.00mm
Materials Compatibility	Abrasive, rigid, semi-flexible, flexible and soft
Mounting	Bottom anterior 2 points. Left 2 points. Right 2 points. Front 4 points. Back 4 points
Max Tightening Torque	0.3Nm
Housing	PA 12 GF
Working Temperature	Up to 100°C
Weight	295g
Motor Insulation Class	Class-H

Comments

Nitrocarburized SS1914, Surface coating xxaxxax

See drawing above for more details about mounting points location and thread depth

SLS printed housings with glass filled Nylon (PA12 GF)

Motor selfheating ~80°C @ 1000mA + Chamber temp must not exceed 180°C

Net weight

Up to 180°C

Specifications

Push Force	7-10kg
Tension	Adjustable with 5 fixed positions
MAX Peak Current 1.5A	Recommended current 700-1000mA
Stepper Motor	30mm Nema 17 1.8 degree
Motor Connector	S6B-PH-K-S
Filament Diameter	1.75
Lubrications	Berutox FB22
CE Certified	Yes
RoHS	Yes
REACH	Yes

Comments

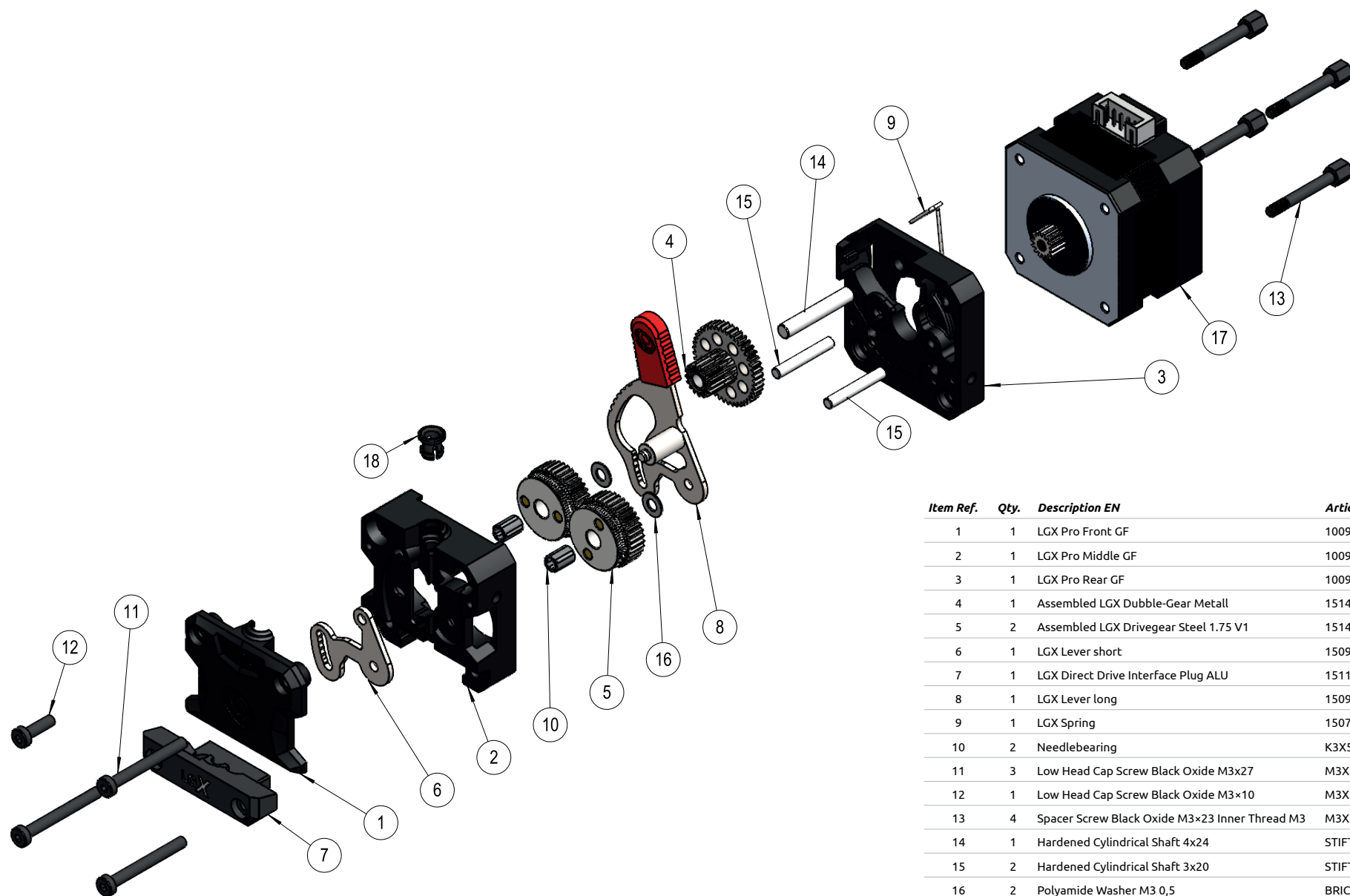
1-2 Rigid Materials. 2-3 Semi-flexible. 3-5 Flexible/Soft

To use with cable connector of type PHR-6 or equivalent

Visual inspection every 100 print hours. Clean and apply new lubrication on the gears

#extruder

EXT-LGX-PRO
SKU



Item Ref.	Qty.	Description EN	Article Number
1	1	LGX Pro Front GF	10094-01
2	1	LGX Pro Middle GF	10094-02
3	1	LGX Pro Rear GF	10094-03
4	1	Assembled LGX Dubble-Gear Metall	15146
5	2	Assembled LGX Drivegear Steel 1.75 V1	15145
6	1	LGX Lever short	15095
7	1	LGX Direct Drive Interface Plug ALU	15116
8	1	LGX Lever long	15094
9	1	LGX Spring	15079
10	2	Needlebearing	K3X5X7
11	3	Low Head Cap Screw Black Oxide M3x27	M3X27L
12	1	Low Head Cap Screw Black Oxide M3x10	M3X10L
13	4	Spacer Screw Black Oxide M3x23 Inner Thread M3	M3X23STUD50BEH
14	1	Hardened Cylindrical Shaft 4x24	STIFT4X24M6
15	2	Hardened Cylindrical Shaft 3x20	STIFT3X20M6
16	2	Polyamide Washer M3 0,5	BRICKAM3PLAST
17	1	Nema17 Pancake Stepper 30mm 14T pressed gear	13014
18	1	Pushfit collar 4mm	12016

EXTRUDER EXPLODED VIEW #02/02