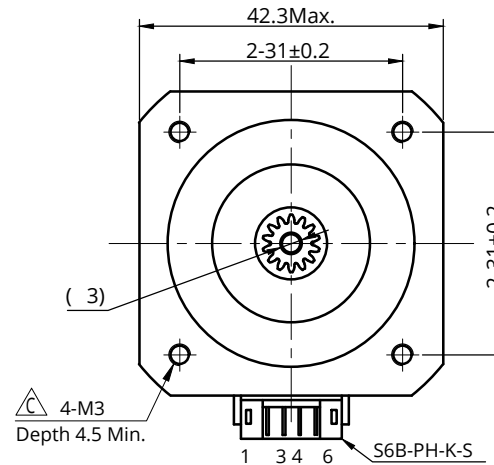
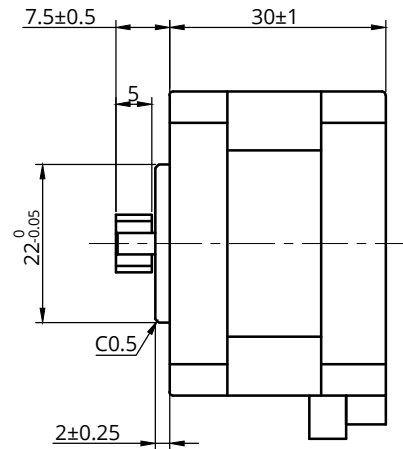
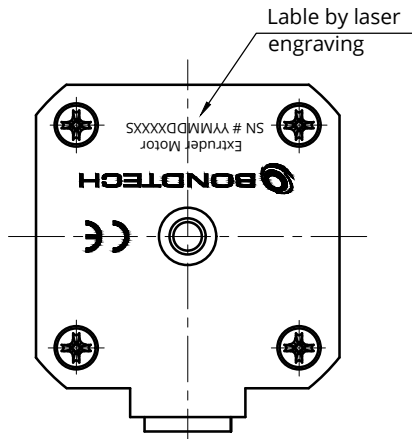
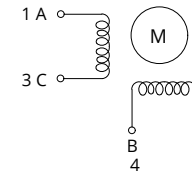


#hybrid stepper motor 42H030H-1504A-001

DIMENSIONS: units = mm



Wiring Diagram



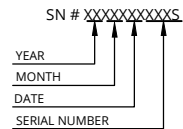
Exciting Sequence vs. Direction of Rotation

STEP	A	B	C	D	Direction
1	+	+	-	-	CCW ↑
2	-	+	+	-	
3	-	-	+	+	
4	+	-	-	+	

CW ↓

Clockwise view from mounting side

Laser engraving content description



SPECIFICATIONS

Step Angle	1.8°±5%
Number of Phase	2
Rated Voltage	4.3 V
Rated Current/Phase	1.5 A (Peak Value)
Holding Torque	3 kg-cm Min. (1)
Detent Torque	-g-cm (Ref.)
Phase Resistance	2.85 Ω±10%(20°)
Phase Inductance	3.8 mH±20%(1kHz 1V RMS)
Dielectric Strength	AC 500V/ 1min / 5mA Max.
Rotor Inertia	30 g-cm ²
Weight	0.19 kg
Insulation Class	H (180°) ; 75K Max.

COMMENTS

Holding torque testing: two phase on/rated current;
 Ambient temperatures: -20° ~ +100°
 Dynamic axial load: 10N Max.;
 Dynamic radial load: 21N Max.@20mm
 Shaft length 20mm;
 Reliability: MTBF 6000 MTBF 6000 hours or more.@24V/300RPM;

GEAR SPECIFICATIONS

Module	0.5
No. of tooth	14
Pressure angle	20°
Pitch diameter	Ø 7
Addendum circle diameter	Ø 8
Base tangent length	2.312 ^{0.005}
Number of teeth spanned	2
Precision grade	GB/T10095-1-2001 8
Material	40Cr+Quench HRC36-42



NAME Nema17 Pancake Stepper 30mm
 14T Pressed Gear
 TYPE Hybrid Stepper Motor
 SKU 13014A